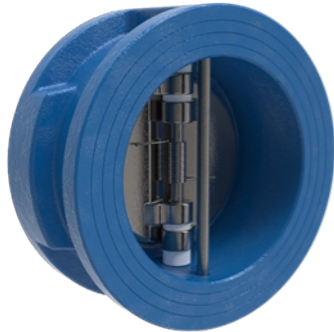


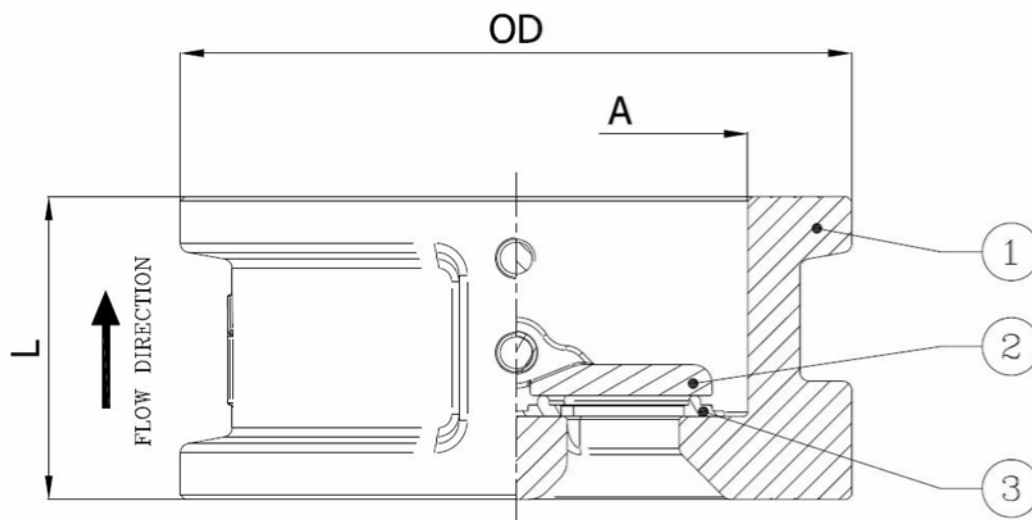
BV40-2466E-PN10/16

Duo-check valve, mounting between flanges PN10/16

Face to Face Standard: EN 558-1 series 16



Item Number	Belven Ref
403047E0050	BV40-2466E-PN16-DN050
403047E0065	BV40-2466E-PN16-DN065
403047E0080	BV40-2466E-PN16-DN080
403047E0100	BV40-2466E-PN16-DN100
403047E0125	BV40-2466E-PN16-DN125
403047E0150	BV40-2466E-PN16-DN150
403047E0200	BV40-2466E-PN16-DN200
403047E0250	BV40-2466E-PN16-DN250



DN/Size	A	OD	L	Press.Cl.	Weight(kg)
DN50 (2")	70,5	107	43	PN16	1.70
DN65 (2 1/2")	80	127	46	PN16	2.40
DN80 (3")	94	142	64	PN16	3.30
DN100 (4")	117	162	64	PN16	4.80
DN125 (5")	145	192	70	PN16	6.50
DN150 (6")	170	218	76	PN16	9.40
DN200 (8")	221	273	89	PN16	15.50
DN250 (10")	275,5	328	114	PN16	26.00

Item 1	Item 2	Item 3
Body Material	Disc Material	Seat Material
Ductile iron : GGG40 + Epoxy coating	Stainless steel : A351 CF8M	EPDM

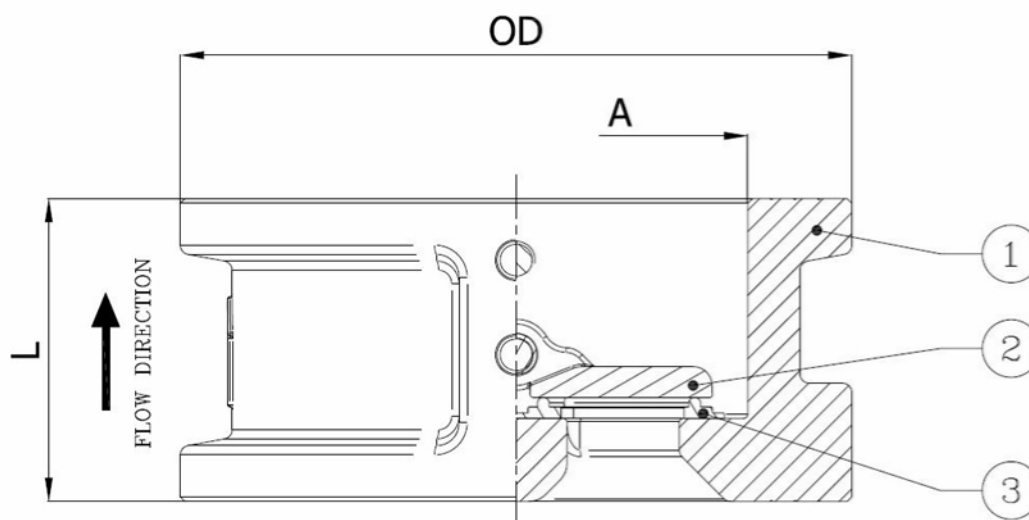
BV40-2466E-PN10

Duo-check valve, mounting between flanges PN10

Face to Face Standard: EN 558-1 series 16



Item Number	Belven Ref
402047E0300	BV40-2466E-PN10-DN300



DN/Size	A	OD	L	Press.Cl.	Weight(kg)
DN300 (12")	325,5	378	114	PN10	33.50

Item 1	Item 2	Item 3
Body Material	Disc Material	Seat Material
Ductile iron : GGG40 + Epoxy coating	Stainless steel : A351 CF8M	EPDM